

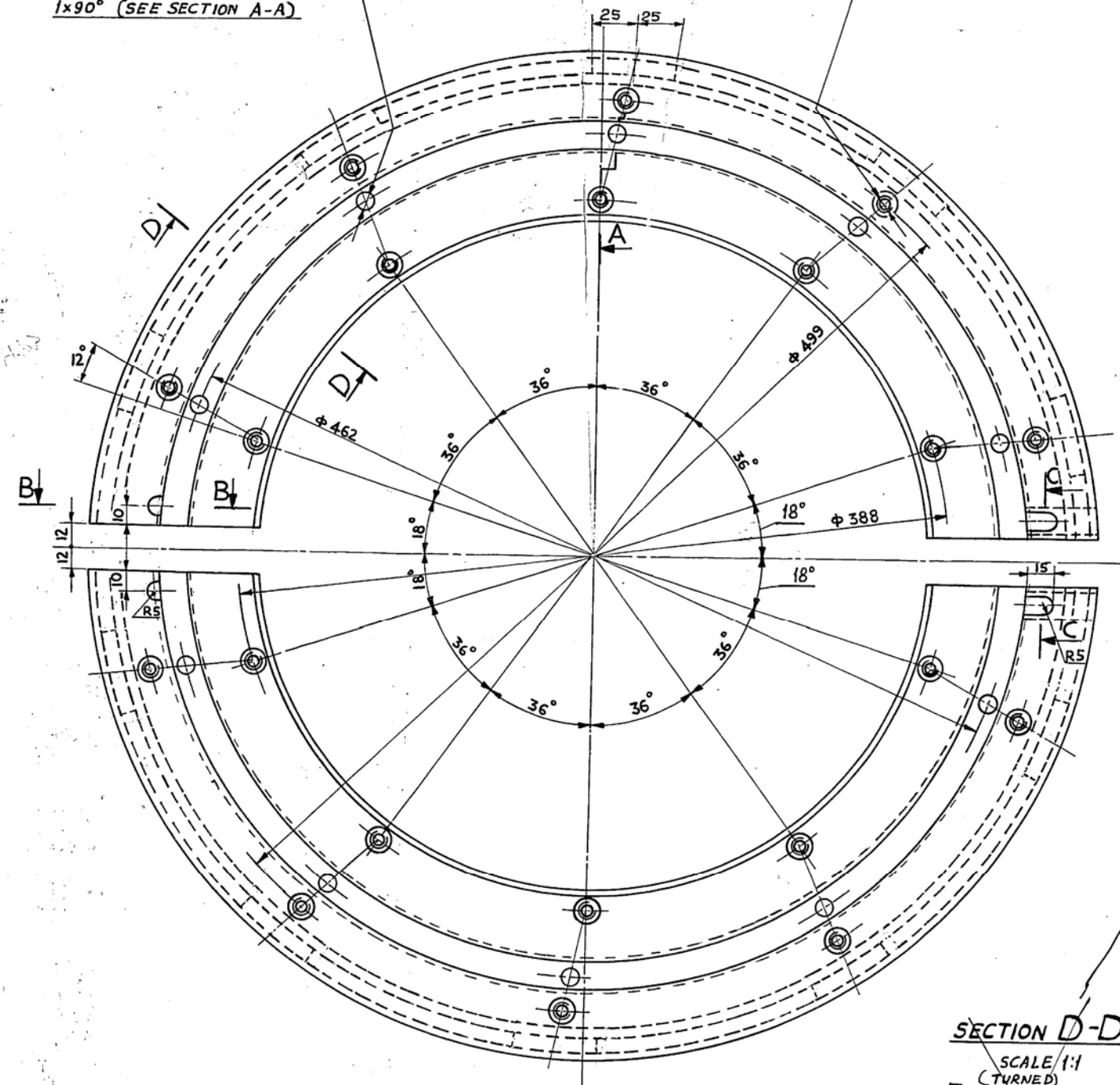
27070722

FIRST ANGLE PROJECTION

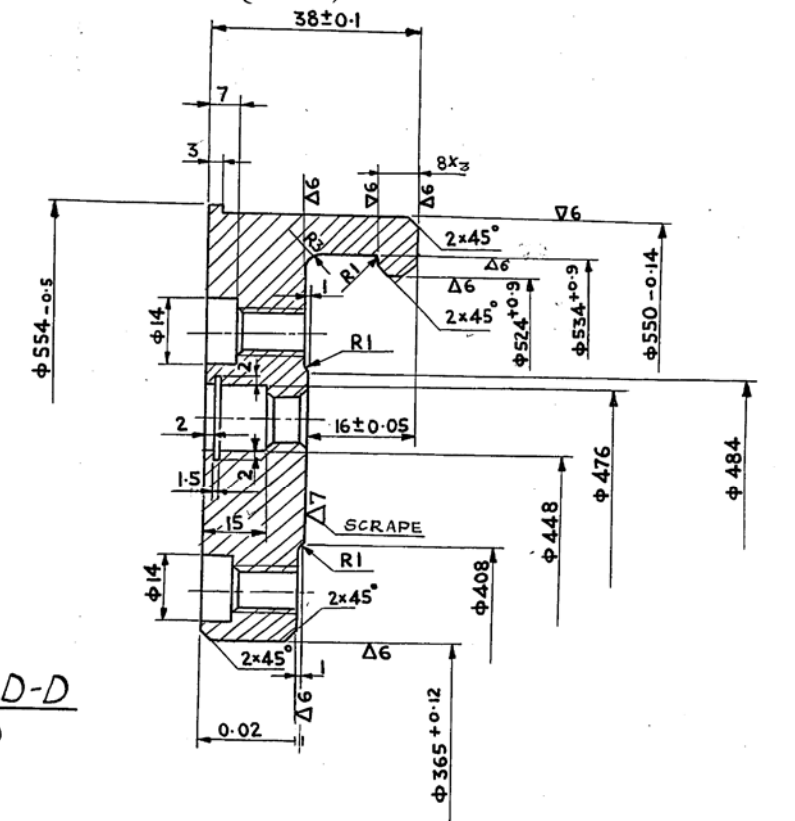
FORM 01-01

10 HOLES  $\phi 10$  CSK FROM BOTH SIDES  
1x90° (SEE SECTION A-A)

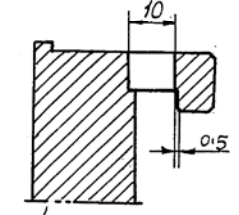
20 HOLES M10-8H (SEE SECTION A-A) DRILL  
AS PER JIG WITH BASE  $\phi 365^{+0.12}$  CSK 1x90°



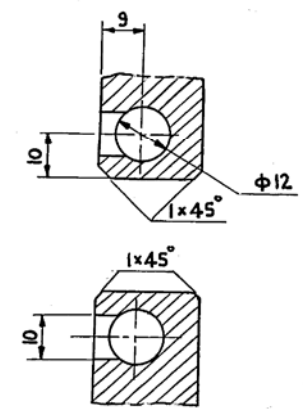
SECTION AA  
SCALE 1:1  
(TURNED)



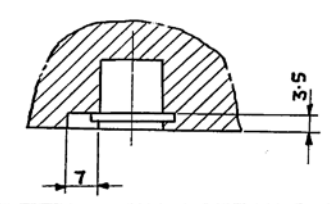
SECTION D-D  
(TURNED)  
SCALE 1:1



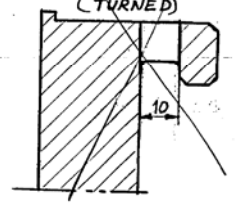
SECTION CC  
SCALE 1:1



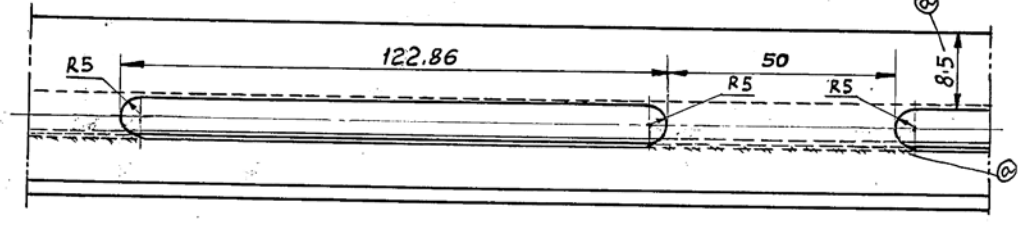
SECTION BB  
SCALE 1:1



SECTION D-D  
SCALE 1:1  
(TURNED)



VIEW P (UNFOLDED)  
SCALE 1:1



B1232617  
 B1-7552  
 SUPERSEDES  
 DATE  
 REVISION  
 DATE  
 18303-6  
 1972

				C-200-130	32404000 SP
				THRUST RING FOR SURGE PADS (IN TWO HALVES)	
CHG. NOS.	DOCU. NO.	SIGN.	DATE	LETTER	WEIGHT
WORKED	P.SINGH		28-4-72	- B	24.88
CHECKED	P.SINGH		28-4-72	SHEET-1	TOTAL SHEETS-1
				HEEP	STD
TECH. CONL.	Manchanda		24-4-72	STEEL SL-42-W IS: 2062-62	
STD. CONL.	RPS		3/7	MCM 3 GOST 500-58	
APPROVED	J.N. KARAN		4/7/72		

32404000 SP  
 32404042